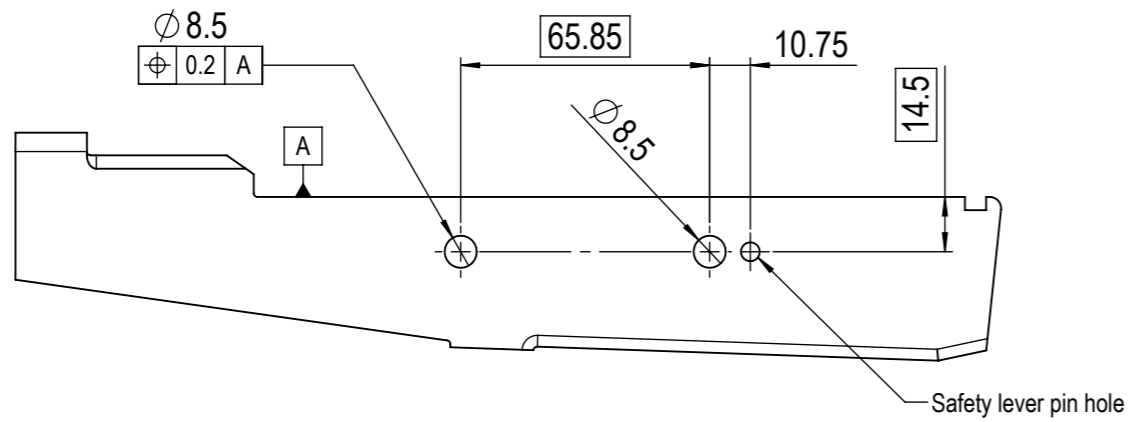
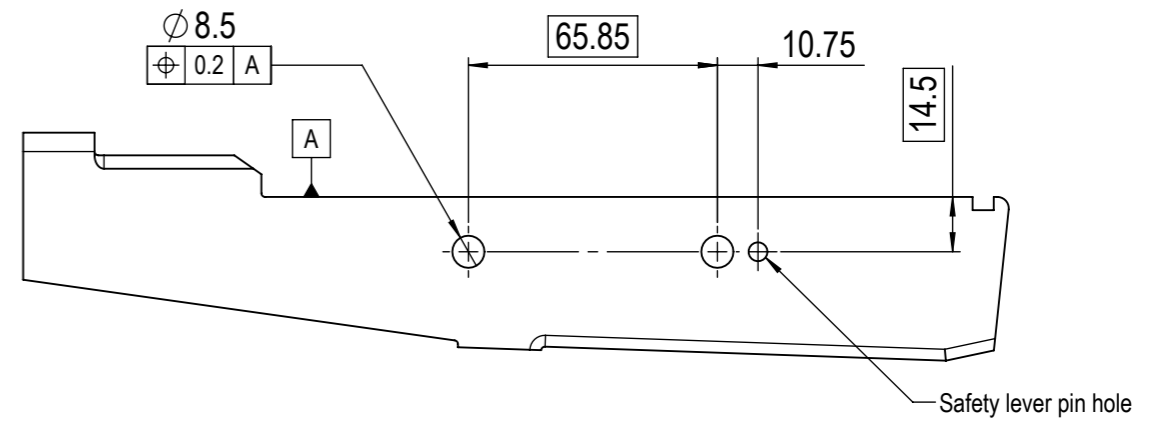


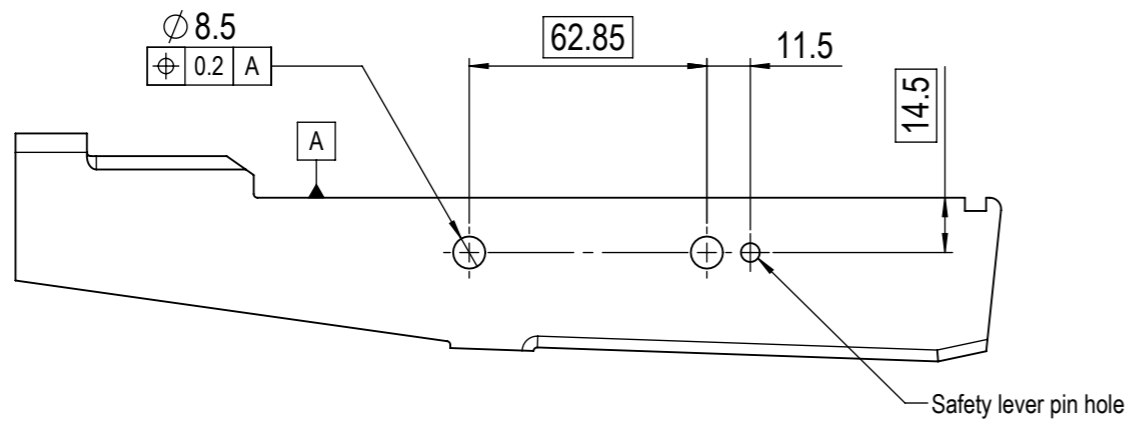
REVISIONS			
REV.	DESCRIPTION	DATE	APPROVED
02	Valmet Petra M88 added.	2023-04-04	2023-04-04



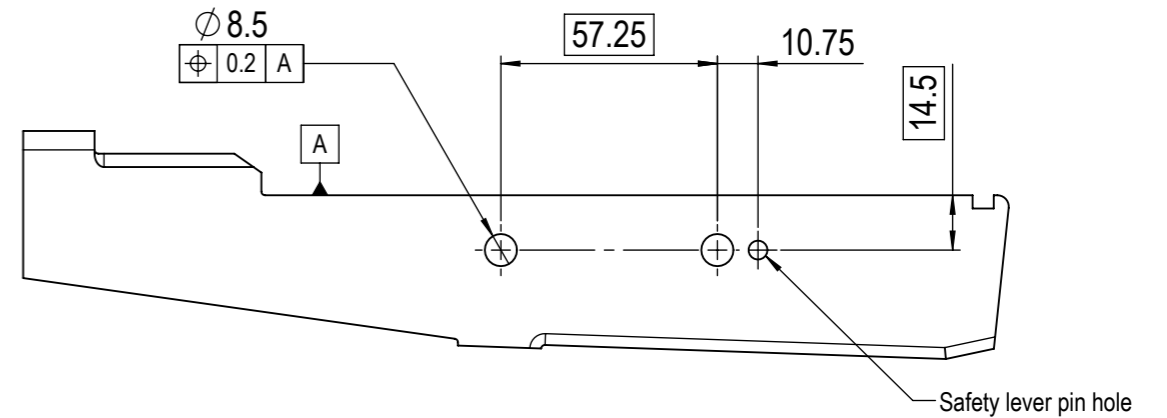
RK62 / Petra M83 Receiver Rail drillings
(Use receiver rail: VA301011)



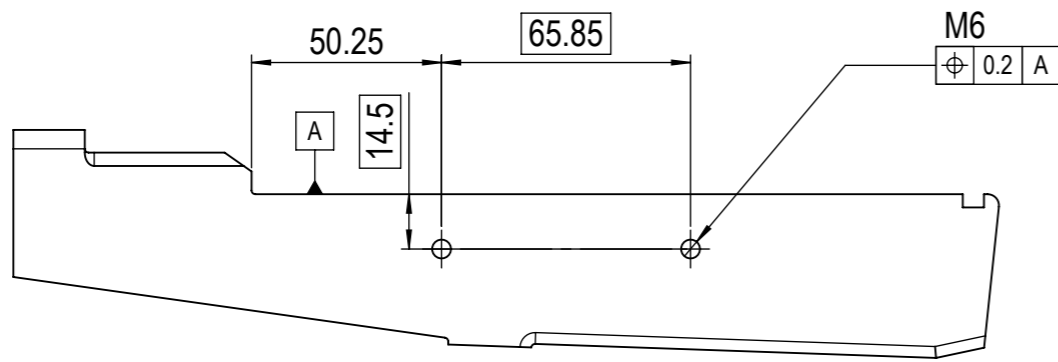
AK Milled Receiver Rail drillings
(Use receiver rail: VA301011)





Galil Receiver Rail drillings
(Use receiver rail: VA301065)



AK Stamped Receiver Rail drillings
(Use receiver rail: VA301020)



02 Valmet Petra M88 Receiver Rail drillings
(Use receiver rail: VA301011)

General tolerance	ISO 2768-m	Company	 VALMAN Ltd.		<small>NOTE: This information is CONFIDENTIAL and PROPRIETARY to VALMAN. It is furnished with understanding that the information will not be copied or disclosed without the written consent of VALMAN. Protection of designs.</small>
Material	Weight	Designer	2019-03-20	JLA	
Finish		Reviewer	2019-04-09	PSY	Description Drillings for Receiver Rails
FIRST ANGLE PROJECTION 		Approver	2019-04-10	PSY	
DIMENSIONS ARE IN MILLIMETERS, UNLESS OTHERWISE SPECIFIED		Scale	1:2		Size A3
				Item code VA401007-02	Sheet 1 of 1